



# VERTICAL MULTISTAGE STAINLESS STEEL PUMPS TYPE: PV

General Data

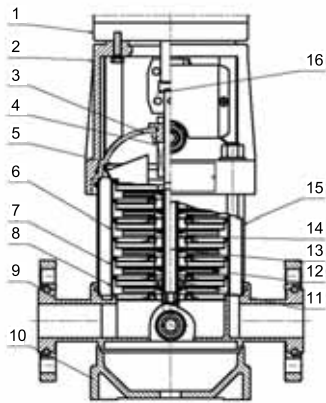


**PV** Vertical Multistage Stainless Steel Pumps are used for clean water of liquids which chemical and physical characteristic are similar those of water, widely use for high buildings, plants, mining city water supply system and irrigation

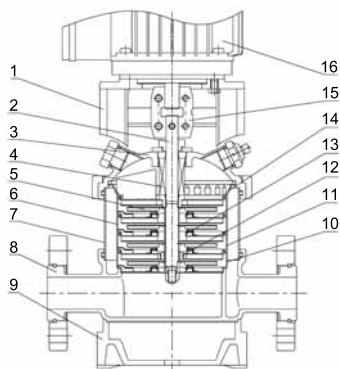
**Pump  
Identification  
Markings**

PV	Vertical Multistage Stainless Steel Pump
V	Frequency std 50Hz, V= 60Hz
8	Designed capacity, 8m <sup>3</sup> /h
-50	Number of stages x 10

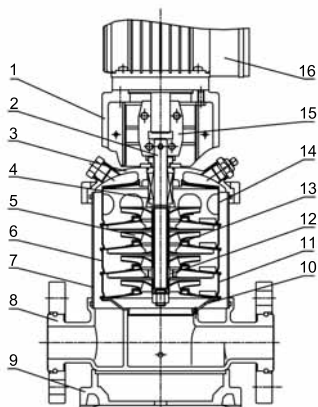
- **Ambient Temperature**  
Maximum: +40°C
- **Liquid Temperature**  
Standard design: -15°C to +90°C  
For hot water design: -15°C to +120°C
- **Max operating pressure : 10 bar**  
Max suction pressure is limited by max operating pressure Axial inlet and Radial outlet
- **Electric motor standard be supplied:**  
50Hz, single phase 220V or three phase 380V, aluminum casing, IP54, class F.  
60Hz, single phase 110V or three phase 220V, aluminium casin, IP54, class F
- **Pump's material** can be supplied in 304 or 316 stainless steel.



PV 1, 3		
No.	Name	Material
1	Motor	-
2	Pump Head	Cast Iron
4	Mechanical Seal	-
5	Top Diffuser	304 Stainless Steel
6	Diffuser	304 Stainless Steel
7	Support Diffuser	304 Stainless Steel
8	Inducer	304 Stainless Steel
11	Bearing	-
12	Impeller	304 Stainless Steel
13	Shaft	304 Stainless Steel
14	Impeller Sleeve	304 Stainless Steel
15	Cylinder	304 Stainless Steel
16	Coupling	-
SS304 Type		
3	Seal Base	304 Stainless Steel
9	Inlet & Outlet Chamber	304 Stainless Steel
10	Base Plate	Cast Iron



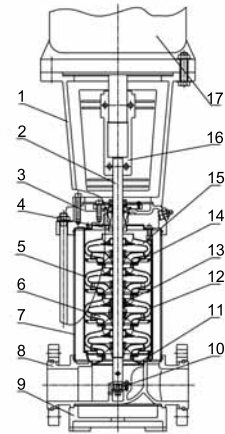
PV 2, 4		
No.	Name	Material
1	Motor Flange	Cast Iron
2	Pump Shaft	304 Stainless Steel
3	Mechanical Seal Seat	304 Stainless Steel
4	Mechanical Seal	-
5	Impeller	304 Stainless Steel
6	Diffuser	304 Stainless Steel
7	Cylinder	304 Stainless Steel
8	Base	304 Stainless Steel
9	Base Plate	Cast Iron
10	Inducer	304 Stainless Steel
11	Support Diffuser	304 Stainless Steel
12	Bearing	-
13	Seal Ring	F-4
14	Top Diffuser	304 Stainless Steel
15	Coupling	-
16	Motor	-



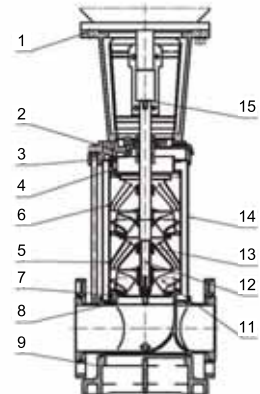
PV 8, 12, 16, 20		
No.	Name	Material
1	Motor Flange	Cast Iron
2	Pump Shaft	304 Stainless Steel
3	Mechanical Seal Seat	304 Stainless Steel
4	Mechanical Seal	-
5	Impeller	304 Stainless Steel
6	Diffuser	304 Stainless Steel
7	Cylinder	304 Stainless Steel
8	Base	304 Stainless Steel
9	Base Plate	Cast Iron
10	Inducer	304 Stainless Steel
11	Support Diffuser	304 Stainless Steel
12	Bearing	-
13	Seal Ring	F-4
14	Top Diffuser	304 Stainless Steel
15	Coupling	-
16	Motor	-

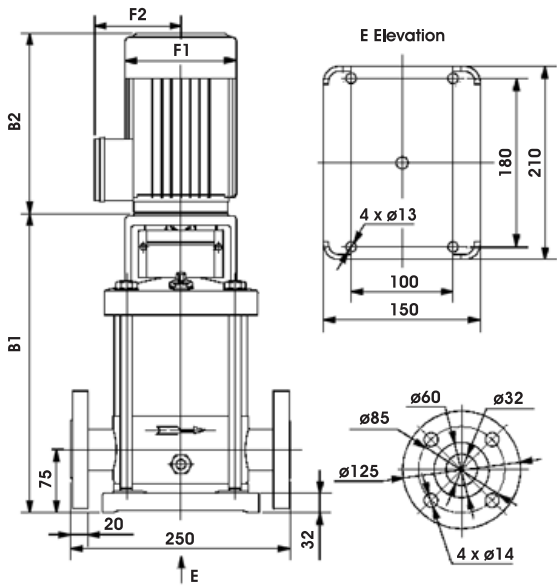
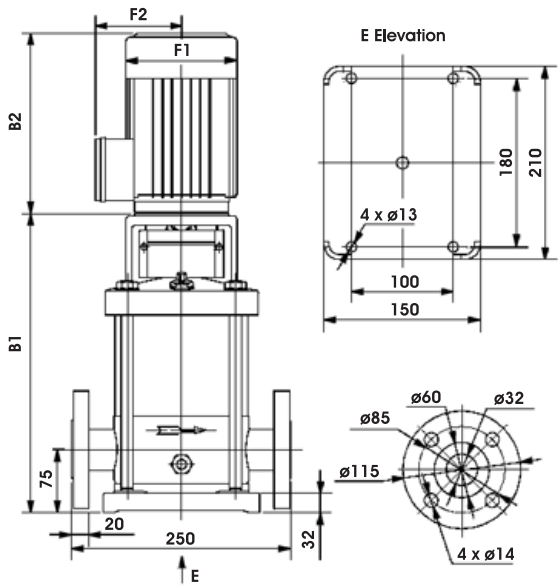
**PV 32, 45, 65, 85**

No.	Name	Material
1	Motor Flange	Cast Iron
2	Pump Shaft	304 Stainless Steel
3	Mechanical Seal Seat	304 Stainless Steel
4	Mechanical Seal	-
5	Diffuser	304 Stainless Steel
6	Impeller	304 Stainless Steel
7	Cylinder	304 Stainless Steel
8	Base	304 Stainless Steel
9	Base Plate	Cast Iron
10	Bearing	-
11	Inducer	304 Stainless Steel
12	Support Diffuser	-
13	Bearing	-
14	Seal Ring	-
15	Top Diffuser	304 Stainless Steel
16	Coupling	-
17	Motor	-

**PV 120, 150**

No.	Name	Material
1	Bracket	Cast Iron
3	Mechanical Seal	-
4	Discharge	304 Stainless Steel
5	Support Diffuser	304 Stainless Steel
6	Diffuser	304 Stainless Steel
7	Inducer	304 Stainless Steel
9	Base Plate	Cast Iron
11	Impeller	304 Stainless Steel
12	Shaft	304 Stainless Steel
13	Bearing	-
14	Cylinder	304 Stainless Steel
15	Coupling	-
<b>Cast Iron Type</b>		
2	Pump Head	Cast Iron
8	Inlet & Outlet Chamber	Cast Iron
<b>SS304 Type</b>		
2	Pump Head	304 Stainless Steel
8	Inlet & Outlet Chamber	304 Stainless Steel



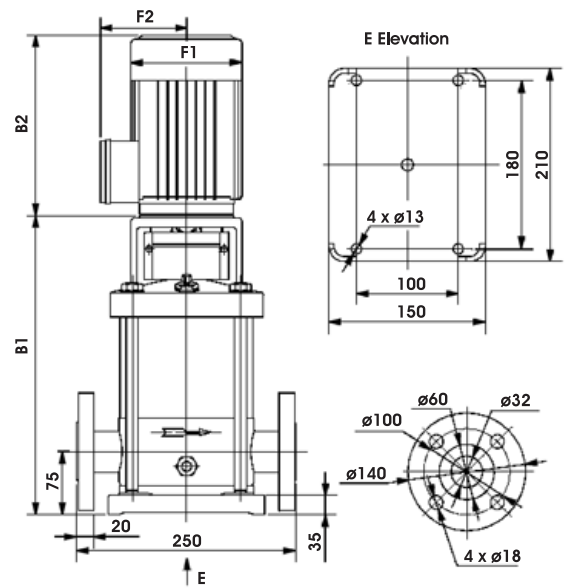
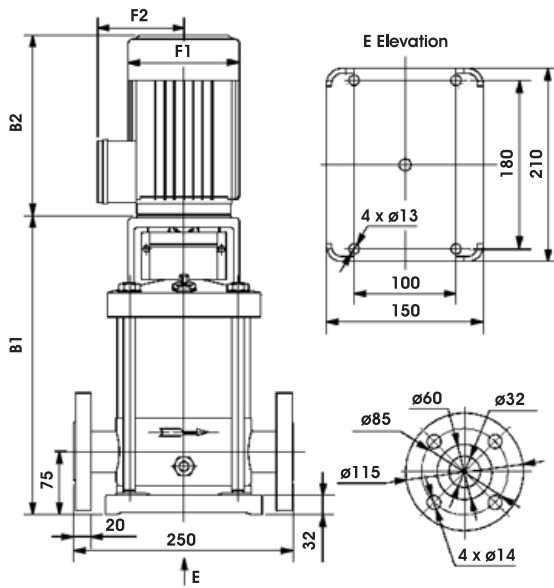


PUMP MODEL	MOTOR POWER (kW)	Size (mm)					Weight (Kg)
		B1	B2	B1 + B2	F1	F2	
PV1-20	0.37	258	210	468	148	117	20
PV1-30	0.37	276	210	486	148	117	20
PV1-40	0.37	294	210	504	148	117	20
PV1-50	0.37	312	210	522	148	117	20
PV1-60	0.37	330	210	540	148	117	20
PV1-70	0.37	348	210	558	148	117	20
PV1-80	0.55	366	210	576	148	117	22
PV1-90	0.55	384	210	594	148	117	22
PV1-100	0.55	402	210	612	148	117	22
PV1-110	0.55	420	210	630	148	117	22
PV1-120	0.75	448	245	693	170	142	25
PV1-130	0.75	466	245	711	170	142	25
PV1-150	0.75	502	245	747	170	142	25
PV1-170	1.1	538	245	783	170	142	28
PV1-190	1.1	574	245	819	170	142	28
PV1-210	1.1	610	245	855	170	142	30
PV1-230	1.1	646	245	891	170	142	33
PV1-250	1.5	692	290	982	190	155	40
PV1-270	1.5	728	290	1018	190	155	40
PV1-300	1.5	782	290	1072	190	155	40
PV1-330	2.2	836	290	1126	190	155	45
PV1-360	2.2	890	290	1180	190	155	45

PUMP MODEL	MOTOR POWER (kW)	Size (mm)					Weight (Kg)
		B1	B2	B1 + B2	F1	F2	
PV2-20	0.37	257	240	497	145	140	20
PV2-30	0.37	275	240	515	145	140	20
PV2-40	0.55	293	240	533	145	140	20
PV2-50	0.55	311	240	551	145	140	20
PV2-60	0.75	338	255	593	175	150	25
PV2-70	0.75	356	255	611	175	150	25
PV2-80	1.1	374	255	629	175	150	30
PV2-90	1.1	392	255	647	175	150	30
PV2-100	1.1	410	255	665	175	150	30
PV2-110	1.1	428	255	683	175	150	35
PV2-120	1.5	457	285	742	195	155	35
PV2-130	1.5	475	285	760	195	155	35
PV2-140	1.5	493	285	778	195	155	35
PV2-150	1.5	511	285	796	195	155	35
PV2-160	2.2	529	285	814	195	155	35
PV2-170	2.2	547	285	832	195	155	40
PV2-180	2.2	565	285	850	195	155	40
PV2-190	2.2	583	285	868	195	155	40
PV2-200	2.2	601	285	886	195	155	40
PV2-210	2.2	619	285	904	195	155	40
PV2-220	2.2	637	285	922	195	155	45
PV2-230	3	665	325	990	215	180	45
PV2-240	3	683	325	1008	215	180	45
PV2-250	3	701	325	1026	215	180	50
PV2-260	3	719	325	1044	215	180	50

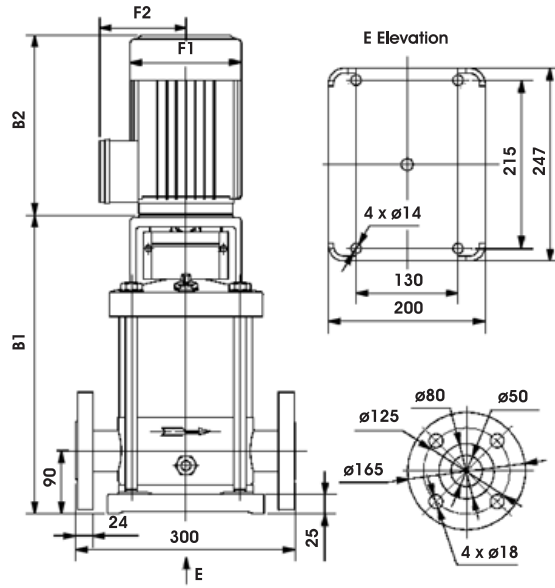
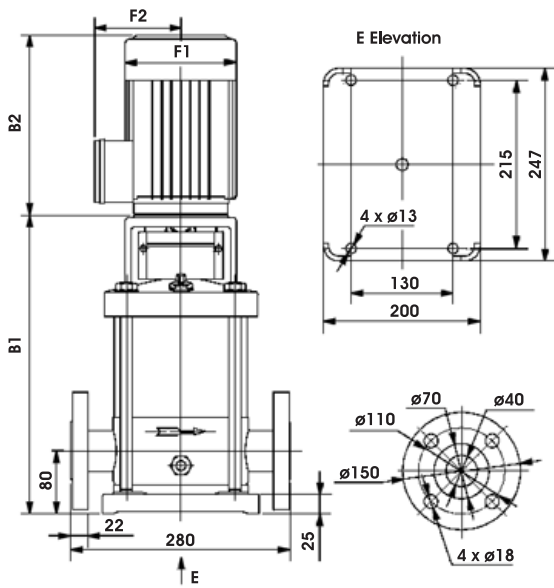
DIMENSION & WEIGHT  
PV 1 / PV 2

**DIMENSION & WEIGHT  
PV 3 / PV 4**



PUMP MODEL	MOTOR POWER (kW)	Size (mm)					Weight (Kg)
		B1	B2	B1 + B2	F1	F2	
PV3-20	0.37	258	210	468	148	117	20
PV3-30	0.37	276	210	486	148	117	20
PV3-40	0.37	294	210	504	148	117	20
PV3-50	0.37	312	210	522	148	117	20
PV3-60	0.55	330	210	540	148	117	22
PV3-70	0.55	348	210	558	148	117	22
PV3-80	0.75	376	245	621	170	142	22
PV3-90	0.75	394	245	639	170	142	22
PV3-100	0.75	412	245	657	170	142	22
PV3-110	1.1	430	245	675	170	142	25
PV3-120	1.1	448	245	693	170	142	25
PV3-130	1.1	466	245	711	170	142	25
PV3-150	1.1	502	245	747	170	142	25
PV3-170	1.5	548	290	838	190	155	30
PV3-190	1.5	584	290	874	190	155	35
PV3-210	2.2	620	290	910	190	155	35
PV3-230	2.2	656	290	946	190	155	40
PV3-250	2.2	692	290	982	190	155	40
PV3-270	2.2	728	290	1018	190	155	40
PV3-290	2.2	764	290	1054	190	155	40
PV3-310	3	810	315	1125	197	165	45
PV3-330	3	846	315	1161	197	165	50
PV3-360	3	900	315	1215	197	165	50

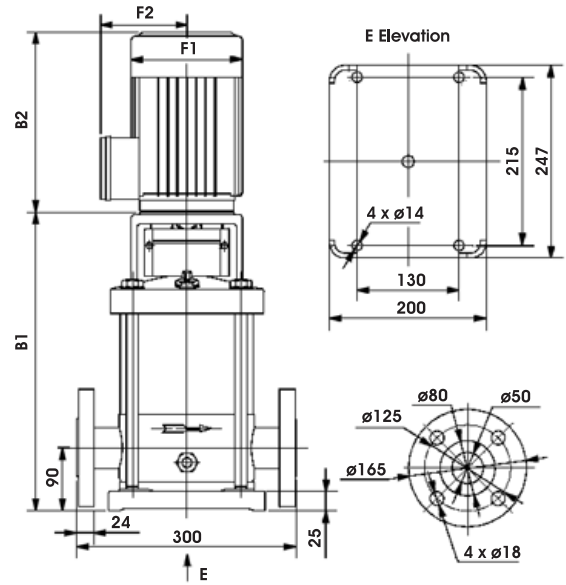
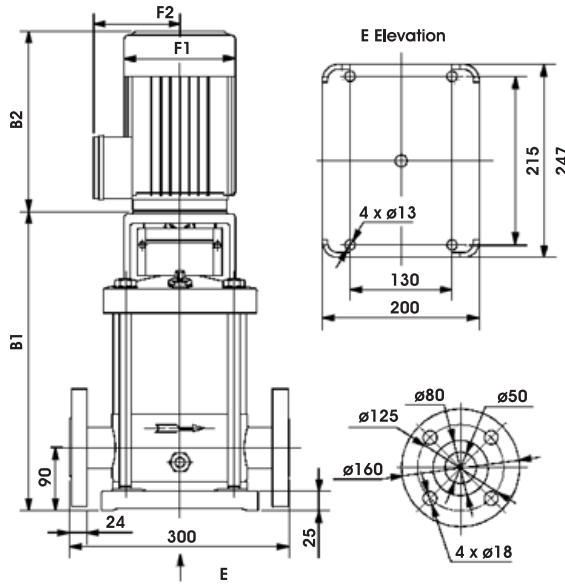
PUMP MODEL	MOTOR POWER (kW)	Size (mm)					Weight (Kg)
		B1	B2	B1 + B2	F1	F2	
PV4-20	0.37	275	240	515	145	140	20
PV4-30	0.55	302	240	542	145	140	20
PV4-40	0.75	338	255	593	175	150	20
PV4-50	1.1	365	255	620	175	150	25
PV4-60	1.1	392	255	647	175	150	25
PV4-70	1.5	430	285	715	195	155	30
PV4-80	1.5	457	285	742	195	155	30
PV4-90	2.2	484	285	769	195	155	30
PV4-100	2.2	511	285	796	195	155	30
PV4-110	2.2	538	285	823	195	155	35
PV4-120	2.2	565	285	850	195	155	35
PV4-130	3	602	325	927	215	180	35
PV4-140	3	629	325	954	215	180	35
PV4-150	3	656	325	981	215	180	40
PV4-160	3	683	325	1008	215	180	40
PV4-170	4	710	340	1050	240	190	40
PV4-180	4	737	340	1077	240	190	45
PV4-190	4	764	340	1104	240	190	45
PV4-200	4	791	340	1131	240	190	45
PV4-210	4	818	340	1158	240	190	45
PV4-220	4	845	340	1185	240	190	50



PUMP MODEL	MOTOR POWER (kW)	Size (mm)					Weight (Kg)
		B1	B2	B1 + B2	F1	F2	
PV8-20	0.75	347	255	602	175	150	25
PV8-30	1.1	377	255	632	175	150	30
PV8-40	1.5	422	285	707	195	155	30
PV8-50	2.2	452	285	737	195	155	40
PV8-60	2.2	482	285	767	195	155	40
PV8-70	3	517	325	842	215	180	40
PV8-80	3	547	325	872	215	180	45
PV8-90	4	577	340	917	240	190	45
PV8-100	4	607	340	947	240	190	55
PV8-110	4	637	340	977	240	190	55
PV8-120	4	667	340	1007	240	190	55
PV8-130	5.5	717	390	1107	275	210	70
PV8-140	5.5	747	390	1137	275	210	80
PV8-150	5.5	677	390	1067	275	210	80
PV8-160	5.5	807	390	1197	275	210	80
PV8-170	7.5	837	390	1227	275	210	85
PV8-180	7.5	867	390	1257	275	210	90
PV8-190	7.5	897	390	1287	275	210	90
PV8-200	7.5	927	390	1317	275	210	90

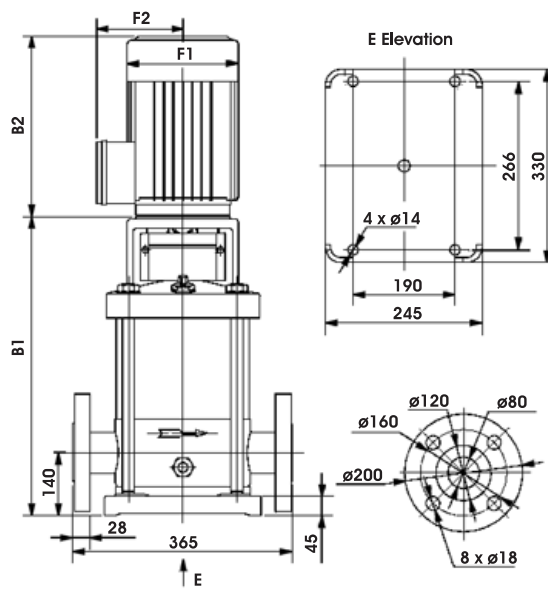
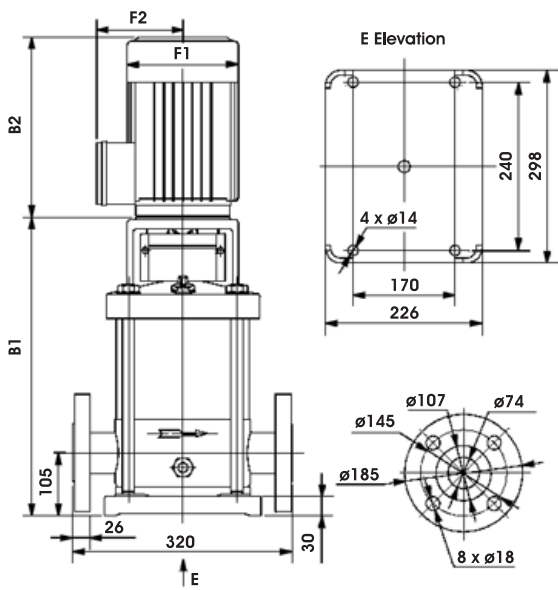
PUMP MODEL	MOTOR POWER (kW)	Size (mm)					Weight (Kg)
		B1	B2	B1 + B2	F1	F2	
PV12-20	1.5	342	282	625	171	119	36
PV12-30	2.2	372	282	655	171	120	39
PV12-40	3	407	332	739	196	132	46
PV12-50	3	437	332	769	196	132	47
PV12-60	4	467	350	817	213	151	57
PV12-70	5.5	517	378	895	257	151	75
PV12-80	5.5	547	378	925	257	151	75
PV12-90	5.5	577	378	955	257	151	77
PV12-100	7.5	607	378	985	257	151	77
PV12-110	7.5	637	378	1015	257	151	78
PV12-120	7.5	667	378	1045	257	151	79
PV12-130	11	787	505	1292	330	240	135
PV12-140	11	817	505	1322	330	240	150
PV12-150	11	847	505	1352	330	240	150
PV12-160	11	877	505	1382	330	240	150
PV12-170	11	907	505	1412	330	240	150
PV12-180	11	937	505	1412	330	240	152

**DIMENSION & WEIGHT  
PV 16 / PV 20**



PUMP MODEL	MOTOR POWER (kW)	Size (mm)					Weight (Kg)
		B1	B2	B1 + B2	F1	F2	
PV16-20	2.2	405	285	690	195	155	40
PV16-30	3	455	325	780	215	180	50
PV16-40	4	500	340	840	240	190	55
PV16-50	5.5	625	390	1015	275	210	70
PV16-60	5.5	670	390	1060	275	210	75
PV16-70	7.5	715	390	1105	275	210	80
PV16-80	7.5	760	390	1150	275	210	80
PV16-90	11	865	500	1465	315	250	110
PV16-100	11	910	500	1510	315	250	140
PV16-110	11	955	500	1555	315	250	140
PV16-120	11	1000	500	1600	315	250	145
PV16-130	15	1045	500	1645	315	250	150
PV16-140	15	1090	500	1690	315	250	160
PV16-150	15	1135	500	1735	315	250	160
PV16-160	15	1180	500	1780	315	250	165

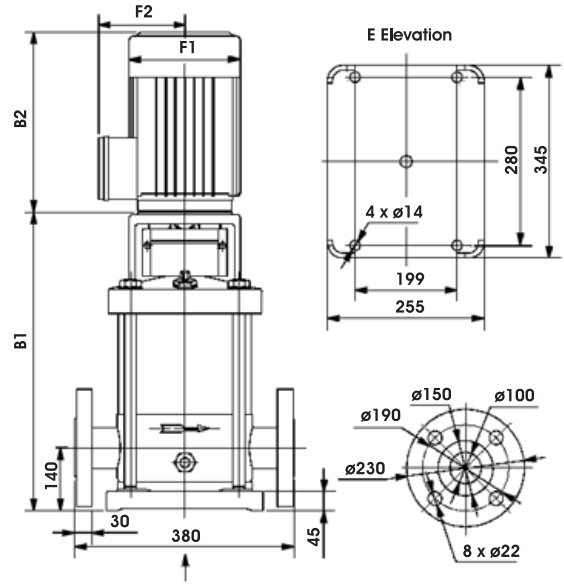
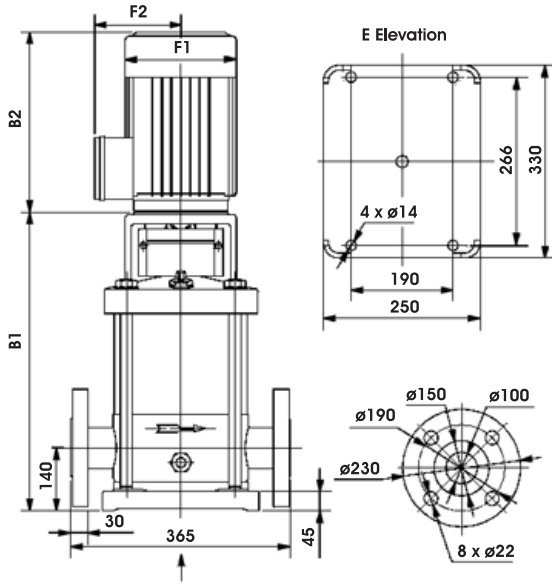
PUMP MODEL	MOTOR POWER (kW)	Size (mm)					Weight (Kg)
		B1	B2	B1 + B2	F1	F2	
PV20-10	1.1	342	244	587	151	108	32
PV20-20	2.2	357	282	640	171	120	43
PV20-30	4	407	350	758	214	151	57
PV20-40	5.5	472	378	851	257	151	72
PV20-50	5.5	517	378	896	257	151	74
PV20-60	7.5	562	378	941	257	151	82
PV20-70	7.5	607	378	986	257	151	84
PV20-80	11	742	505	1248	330	240	140
PV20-90	11	787	505	1293	330	240	142
PV20-100	11	832	505	1338	330	240	145
PV20-110	15	877	505	1383	330	240	155
PV20-120	15	922	505	1428	330	240	160
PV20-130	15	967	505	1473	330	240	163
PV20-140	15	1013	505	1518	330	240	165
PV20-150	18.5	1058	560	1618	330	240	180
PV20-160	18.5	1103	560	1663	330	240	185
PV20-170	18.5	1148	560	1708	330	240	190



PUMP MODEL	MOTOR POWER (kW)	Size (mm)					Weight (Kg)
		B1	B2	B1 + B2	F1	F2	
PV32-10/1	1.5	505	285	790	195	155	80
PV32-10	2.2	505	285	790	195	155	84
PV32-20/2	3	575	325	900	215	180	84
PV32-20	4	575	340	915	240	190	84
PV32-30/2	5.5	645	390	1035	275	210	93
PV32-30	5.5	645	390	1035	275	210	93
PV32-40/2	7.5	715	390	1105	275	210	102
PV32-40	7.5	715	390	1105	275	210	102
PV32-50/2	11	895	490	1385	315	250	172
PV32-50	11	895	490	1385	315	250	172
PV32-60/2	11	965	490	1455	315	250	176
PV32-60	11	965	490	1455	315	250	176
PV32-70/2	15	1035	490	1525	315	250	188
PV32-70	15	1035	490	1525	315	250	188
PV32-80/2	15	1105	490	1595	315	250	192
PV32-80	15	1105	490	1595	315	250	192
PV32-90/2	18.5	1175	530	1705	315	250	218
PV32-90	18.5	1175	530	1705	315	250	218
PV32-100/2	18.5	1245	530	1775	315	250	222
PV32-100	18.5	1245	530	1775	315	250	222
PV32-110/2	22	1315	580	1895	360	275	259
PV32-110	22	1315	580	1895	360	275	259
PV32-120/2	22	1385	580	1965	360	275	263
PV32-120	22	1385	580	1965	360	275	263
PV32-130/2	30	1455	650	2105	400	305	327
PV32-130	30	1455	650	2105	400	305	327
PV32-140/2	30	1525	650	2175	400	305	331
PV32-140	30	1525	650	2175	400	305	331

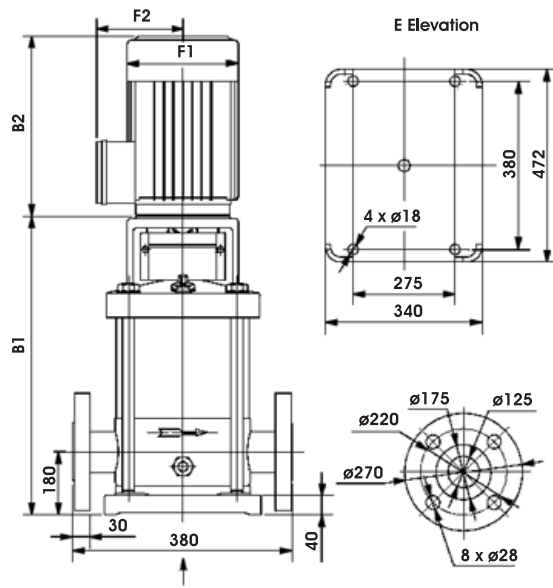
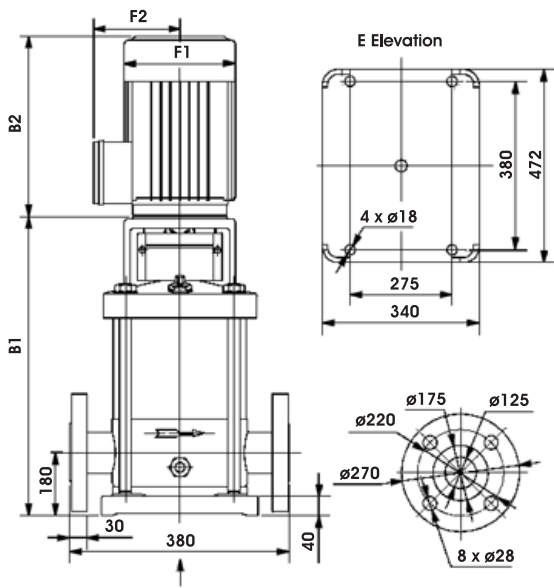
PUMP MODEL	MOTOR POWER (kW)	Size (mm)					Weight (Kg)
		B1	B2	B1 + B2	F1	F2	
PV45-10/1	3	561	332	893	196	132	92
PV45-10	4	561	350	911	214	151	92
PV45-20/2	5.5	641	378	1019	257	151	107
PV45-20	7.5	641	378	1019	257	151	107
PV45-30/2	11	826	505	1331	330	240	175
PV45-30	11	826	505	1331	330	240	175
PV45-40/2	15	906	505	1411	330	240	187
PV45-40	15	906	505	1411	330	240	187
PV45-50/2	18.5	986	560	1546	330	240	208
PV45-50	18.5	986	560	1546	330	240	208
PV45-60/2	22	1066	590	1656	360	240	251
PV45-60	22	1066	590	1656	360	240	251
PV45-70/2	30	1146	660	1806	400	280	315
PV45-70	30	1146	660	1806	400	280	315
PV45-80/2	30	1226	660	1886	400	280	319
PV45-80	30	1226	660	1886	400	280	319
PV45-90/2	30	1306	660	1966	400	280	343
PV45-90	37	1306	660	1966	400	280	343
PV45-100/2	37	1386	660	2046	400	280	347
PV45-100	37	1386	660	2046	400	280	347
PV45-110/2	45	1466	710	2176	450	295	413
PV45-110	45	1466	710	2176	450	295	413
PV45-120/2	45	1546	710	2256	450	295	417
PV45-120	45	1546	710	2256	450	295	417
PV45-130/2	45	1626	710	2336	450	295	421

**DIMENSION & WEIGHT**  
PV 65 / PV 85



PUMP MODEL	MOTOR POWER (kW)	Size (mm)					Weight (Kg)
		B1	B2	B1 + B2	F1	F2	
PV65-10/1	4	561	340	901	240	190	105
PV65-10	5.5	561	390	951	275	210	110
PV65-20/2	7.5	754	390	1144	275	210	120
PV65-20/1	11	754	490	1244	315	250	155
PV65-20	11	754	490	1244	315	250	155
PV65-30/2	15	836	490	1326	315	250	195
PV65-30/1	15	836	490	1326	315	250	195
PV65-30	18.5	836	530	1366	315	250	205
PV65-40/2	18.5	919	530	1449	315	250	208
PV65-40/1	22	919	580	1499	360	275	260
PV65-40	22	919	580	1499	360	275	260
PV65-50/2	30	1001	650	1651	400	305	345
PV65-50/1	30	1001	650	1651	400	305	345
PV65-50	30	1001	650	1651	400	305	345
PV65-60/2	30	1084	650	1734	400	305	350
PV65-60/1	37	1084	650	1734	400	305	370
PV65-60	37	1084	650	1734	400	305	370
PV65-70/2	37	1166	650	1816	400	305	375
PV65-70/1	37	1166	650	1816	400	305	375
PV65-70	45	1166	695	1861	450	325	435
PV65-80/2	45	1248	695	1943	450	325	440
PV65-80/1	45	1248	695	1943	450	325	440

PUMP MODEL	MOTOR POWER (kW)	Size (mm)					Weight (Kg)
		B1	B2	B1 + B2	F1	F2	
PV85-10/1	5.5	571	430	1001	260	208	120
PV85-10	7.5	571	430	1001	260	208	122
PV85-20/2	11	773	490	1263	330	255	165
PV85-20	15	773	490	1263	330	255	198
PV85-30/2	18.5	865	550	1415	330	255	212
PV85-30	22	865	590	1455	360	285	265
PV85-40/2	30	957	660	1617	400	310	348
PV85-40	30	957	660	1617	400	310	348
PV85-50/2	37	1049	660	1709	400	310	375
PV85-50	37	1049	660	1709	400	310	375
PV85-60/2	45	1141	700	1841	460	340	438
PV85-60	45	1141	700	1841	460	340	438



PUMP MODEL	MOTOR POWER (kW)	Size (mm)					Weight (Kg)
		B1	B2	B1 + B2	F1	F2	
PV120-10	11	840	490	1330	330	255	230
PV120-20/1	18.5	1000	550	1550	330	255	250
PV120-20	22	1000	590	1590	360	285	285
PV120-30	30	1160	660	1820	400	310	360
PV120-40/1	37	1320	660	1980	400	310	400
PV120-50/1	45	1480	700	2180	460	340	470
PV120-60/1	55	1670	770	2440	540	370	585
PV120-70	75	1830	845	2675	580	410	715

PUMP MODEL	MOTOR POWER (kW)	Size (mm)					Weight (Kg)
		B1	B2	B1 + B2	F1	F2	
PV150-10/1	11	840	490	1330	330	255	230
PV150-10	15	840	490	1330	330	255	235
PV150-20/1	22	1000	590	1590	360	285	295
PV150-30/2	30	1160	660	1820	400	310	360
PV150-30	37	1160	660	1820	400	310	385
PV150-40/1	45	1320	700	2020	460	340	460
PV150-50/2	55	1510	770	2280	540	370	570
PV150-60	75	1670	845	2515	580	410	700



**PARAGON PUMP (ASIA) PTE LTD**

37, Kallang Pudding Road, #08-08  
Tong Lee Building Block B, Singapore 349315  
Tel : 6841 2818 Fax : 6841 5988